

# ROWLAND UNIFIED SCHOOL DISTRICT TRANSPORTATION DEPARTMENT

1018 OTTERBEIN AVENUE, ROWLAND HEIGHTS, CA. 91748

## REPLACEMENT OF GARAGE LIFT EQUIPMENT & ACCESSORIES

# ADM

ARCHITECTS INC.

ARCHITECT:



10855 BEVERLY DR. WHITTIER CA 90601  
Tel: (626) 429-3664  
E-mail: [caa@admarchitects.us](mailto:caa@admarchitects.us)

CONSULTANTS:

PROJECT:

REPLACEMENT OF GARAGES' HYDRAULIC LIFTS EQUIPMENT AT ROWLAND UNIFIED SCHOOL DISTRICT TRANSPORTATION DEPARTMENT

1018 OTTERBEIN AVENUE  
ROWLAND HEIGHTS, CA. 91748



REVISIONS:

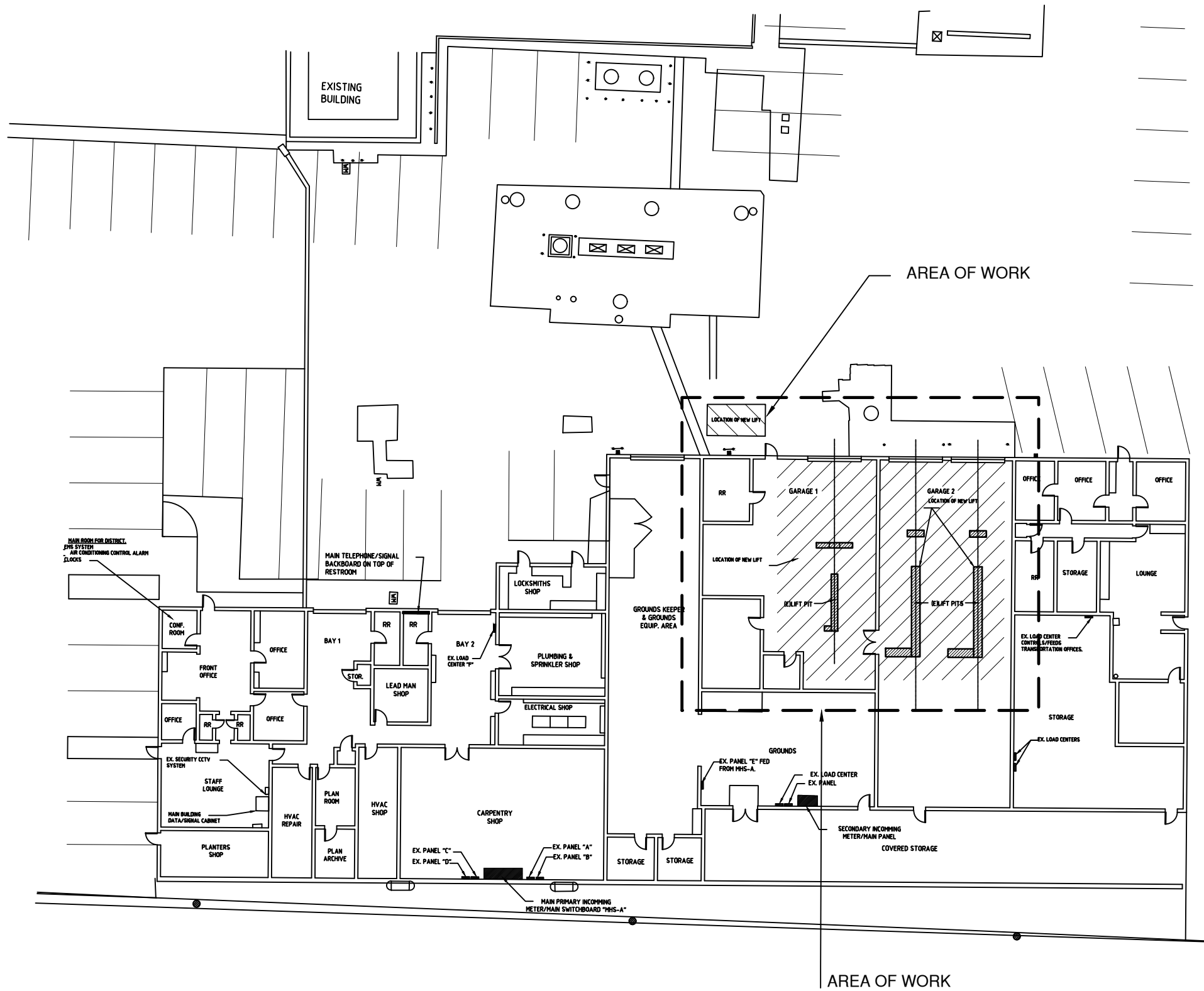
Date: 06 - 24 - 2020  
Date: 07 - 29 - 2020

Project No. : 64774 -106  
Drawn By : G.L.  
Checked By : C.C.  
Drawing Title :

TITLE SHEET. GEN. NOTES, INDEX, MAP. SCOPE OF WORK

Drawing Number : **A-0.1**

NO.	SHEET NO.	DESCRIPTION
ARCHITECTURAL		
1	A-0.1	PROJECT INFORMATION, GENERAL SITE PLAN, GENERAL NOTES
2	A-1.0	GENERAL SITE PLAN
3	A-1.1	ENLARGED FLOOR PLAN, NOTES
4	A-1.2	AUTO-LIFT DETAILS & FOOTING SECTIONS
ELECTRICAL		
5	E-1.0	POWER PLAN, SYMBOLS, GENERAL NOTES AND ELECTRICAL SPECIFICATIONS



SITE PLAN

N.T.S.

1

SHEET INDEX

THE FOLLOWING GENERAL NOTES ARE HEREBY INCORPORATED INTO THE WORK AND SHALL BE IMPLEMENTED AS APPLICABLE TO THE WORK.

- IT SHALL BE THE RESPONSIBILITY OF THE CONTRACTOR TO CONFIRM, PRIOR TO BIDDING, THAT EACH SET OF THE DRAWINGS CONTAIN ALL SHEETS AS DESIGNATED IN THE DRAWING INDEX, AND THAT EACH SET OF THE SPECIFICATIONS INCLUDE ALL SECTIONS AND PAGES AS CALLED FOR IN THE TABLE OF CONTENTS OF THE SPECIFICATIONS. ANY DISCREPANCIES, ERRORS OR OMISSIONS FOUND IN THE SPECIFICATIONS OF DRAWINGS SHALL BE PROMPTLY REPORTED TO THE ARCHITECT WHO WILL ISSUE A CORRECTION IN WRITING. THE CONTRACTOR SHALL NOT TAKE ADVANTAGE OF ANY SUCH DISCREPANCIES, ERRORS OR OMISSIONS BUT SHALL COMPLY WITH THE CORRECTIVE MEASURES REGARDING THE SAME PRESCRIBED BY THE ARCHITECT.
- ALL WORK AND MATERIALS SHALL BE IN FULL ACCORDANCE WITH THE REQUIREMENTS OF THE CODES AND ALL APPLICABLE LOCAL ORDINANCES, AS INDICATED IN CODES & REGULATIONS BELOW. WHERE CONTRACT DOCUMENTS EXCEED SUCH REQUIREMENTS, WITHOUT VIOLATING SUCH CODES, REGULATIONS AND ORDINANCES, CONTRACT DOCUMENTS TAKE PRECEDENCE. WHERE CODES CONFLICT, THE MORE STRINGENT SHALL APPLY.
- DURING THE ENTIRE CONSTRUCTION PERIOD, IT SHALL BE THE SOLE RESPONSIBILITY OF THE CONTRACTOR TO MAINTAIN CONDITIONS AT THE PROJECT SITE TO MEET THE REQUIREMENTS OF THE FEDERAL OCCUPATIONAL SAFETY AND HEALTH ADMINISTRATION (OSHA) AND CALIFORNIA OCCUPATIONAL REGULATIONS. THIS PROVISION SHALL COVER THE CONTRACTOR'S EMPLOYEES AND ALL OTHER PERSONS WORKING UPON OR VISITING THE SITE. THE CONTRACTOR SHALL BECOME FULLY INFORMED OF ALL APPLICABLE STANDARDS AND REGULATIONS AND INFORM ALL PERSONS AND REPRESENTATIVES RESPONSIBLE FOR WORK UNDER THIS CONTRACT.
- THE INTENT OF THESE DRAWINGS AND SPECIFICATIONS IS THAT THE WORK BE IN ACCORDANCE WITH TITLE 24, CALIFORNIA CODE OF REGULATIONS (CCR). SHOULD ANY EXISTING CONDITIONS SUCH AS DETERIORATION OR NON-COMPLYING CONSTRUCTION BE DISCOVERED WHICH IS NOT COVERED BY THE CONTRACT DOCUMENTS WHEREIN THE FINISHED WORK WILL NOT COMPLY WITH TITLE 24, CCR, A CHANGE ORDER, OR A SEPARATE SET OF PLANS AND SPECIFICATIONS DETAILING AND SPECIFYING THE REQUIRED WORK SHALL BE SUBMITTED TO AND APPROVED BY THE DISTRICT BEFORE PROCEEDING WITH THE WORK. (REFERENCE: SECTION 4-317 (c), CALIFORNIA BUILDING STANDARDS ADMINISTRATIVE CODE (PART 1, TITLE 24, CCR))
- THE CONTRACTOR SHALL SAFEGUARD AND PROTECT EXISTING WORK ON ADJACENT PRIVATE AND PUBLIC PROPERTY AND SCHOOL GROUNDS. ANY DAMAGE INCURRED DUE TO FAILURE BY THE CONTRACTOR TO PROPERLY PROTECT SUCH WORK SHALL BE REPAIRED AT THE CONTRACTOR'S EXPENSE.
- THE CONTRACTOR SHALL INSTALL TEMPORARY FENCING AS NEEDED TO PROTECT HIS WORK AREA AND MATERIALS WITHOUT RESTRICTING STUDENT TRAFFIC OR ACCESS TO SCHOOL GROUNDS BY THE LOCAL FIRE DEPARTMENT.
- THE CONTRACTOR SHALL VERIFY THE LOCATION OF ALL EXISTING UTILITIES PRIOR TO STARTING ANY WORK.
- ANY MATERIALS OR WORK TO BE DEMOLISHED SHALL BE REMOVED FROM THE SITE AND TAKEN TO A COUNTY OR CITY OPERATED DISPOSAL SITE. CONTRACTOR SHALL PAY ALL FEES.
- AT THE END OF HIS WORK, THE CONTRACTOR SHALL LEAVE THE SITE IN CLEAN CONDITION, ACCEPTABLE TO THE ARCHITECT AND THE DISTRICT.
- WRITTEN DIMENSIONS SHALL TAKE PRECEDENCE OVER DRAWN SCALES SHOWN ON DRAWINGS. ALL DIMENSIONS SHALL BE VERIFIED AND REVIEWED BY THE CONTRACTOR, AND ANY DISCREPANCIES SHALL BE REPORTED TO THE ARCHITECT.
- CONTRACTOR IS RESPONSIBLE FOR ANY AND ALL EXISTING SITE WORK, CONSTRUCTION, PROPERTY, PLANT MATERIALS AND ANY UTILITY LINES BELOW OR ABOVE GROUND. ANY ITEMS DAMAGED BY THE CONTRACTOR, WHETHER SCHEDULED TO REMAIN OR IN THE SCOPE OF WORK, SHALL BE REPLACED OR REPAIRED BY THE CONTRACTOR AT HIS OWN EXPENSE AND RETURNED TO "AS IS" CONDITION PRIOR TO CONSTRUCTION OR DEMOLITION.
- CONTRACTOR SHALL AT ALL TIMES KEEP PROJECT SITE FREE FROM ALL DEBRIS.
- CHANGES TO THE APPROVED DRAWINGS AND SPECIFICATIONS SHALL BE MADE BY ADDENDA OR CHANGE ORDER APPROVED BY THE DIVISION OF THE STATE ARCHITECT, AS REQUIRED BY SECTION 4-336, PART 1, TITLE 24, CCR.
- A DSA-CERTIFIED PROJECT INSPECTOR SHALL BE EMPLOYED BY THE DISTRICT TO PROVIDE INSPECTION OF ALL CONSTRUCTION WORK ON A PART-TIME BASIS. THE DUTIES OF THE INSPECTOR ARE DEFINED IN SECTION 4-342, CALIFORNIA BUILDING STANDARDS ADMINISTRATIVE CODE (PART 1, TITLE 24, CCR).
- SAFETY STANDARDS: IT IS THE INTENT OF THIS DOCUMENTS TO INCORPORATE THE SAFETY STANDARDS OF THE STATE OF CALIFORNIA DIVISION OF INDUSTRIAL SAFETY. SUCH STANDARDS SHALL COMPLY WITH WHETHER OR NOT SPECIFICALLY DETAILED HEREIN.
- A 'DSA CERTIFIED' INSPECTOR WITH CLASS 2 CERTIFICATION IS REQUIRED FOR THIS PROJECT.
- AN INSPECTOR WHO IS SPECIALLY QUALIFIED IN ELECTRICAL WORK WILL BE REQUIRED FOR THIS PROJECT.

THE FOLLOWING FIRE AND LIFE NOTES ARE HEREBY INCORPORATED INTO THE WORK AND SHALL BE IMPLEMENTED AT ALL NEW CONSTRUCTION, REPAIRS, RENOVATIONS OR ADDITIONS.

- ALL INTERIOR FINISHES SHALL CONFORM TO THE REQUIREMENTS OF CHAPTER 8, PART 2, TITLE 24, CCR. ALL FINISHES SHALL HAVE A FLAME SPREAD RATING OF 75 OR LESS AND A SMOKE DENSITY NOT TO EXCEED 450 WHEN TESTED IN ACCORDANCE WITH N.F.P.A. 286. AND SHALL HAVE A CLASS 1 OR II FLAME SPREAD CLASSIFICATION PER SECTION 803.13.
- ALL INSULATION MATERIALS INSTALLED WITHIN ROOF - CEILING ASSEMBLIES, ATTICS, OR WALLS SHALL HAVE A FLAME - SPREAD RATING NOT TO EXCEED 25 AND A SMOKE DENSITY NOT TO EXCEED 450 PER CBC 702.2.
- PENETRATIONS THROUGH RATED WALLS AND FLOORS SHALL BE SEALED WITH A MATERIAL CAPABLE OF PREVENTING THE PASSAGE OF FLAMES AND HOT GASES WHEN SUBJECT TO THE REQUIREMENTS OF ASTM-E-814 AND CBC 714 AND IN COMPLIANCE WITH THE PROJECT MANUAL.
- ALL ELECTRICAL, MECHANICAL, AND PLUMBING PENETRATIONS, INCLUDING CONDUITS AND PIPING, THROUGH FIRE RATED WALL, FLOOR AND CEILING ASSEMBLIES SHALL BE TIGHTLY AND SOLIDLY SEALED WITH FIRESTOPPING COMPLYING WITH CBC 714 AND THE PROJECT MANUAL. WHERE ITEM PENETRATES AN AREA SEPARATION WALL, THE SECTION PASSING THROUGH THE WALL SURFACE AND THE FIXTURE CONNECTIONS THERETO SHALL BE ONLY OF METAL.
- PROVIDE FIRE DAMPERS AT ALL DUCT PENETRATIONS OF FIRE RATED WALLS, FLOORS, SHAFTS AND CEILINGS. COMBINATION FIRE-SMOKE DAMPERS SHALL BE USED AT DUCT PENETRATIONS OF RATED CORRIDOR WALLS.
- FIRE DAMPER DETAILS SHOWN FOR REFERENCE ONLY. FIRE DAMPERS SHALL BE APPROVED AND LISTED BY STATE FIRE MARSHAL. INSTALL STRICTLY PER MANUFACTURER'S PRINTED INSTRUCTIONS AND LISTING APPROVAL. MANUFACTURER'S INSTALLATION INSTRUCTIONS SHALL BE MADE AVAILABLE TO THE INSPECTING AUTHORITIES.

**MISCELLANEOUS FINISH NOTES**

- ALL INTERIOR FINISHES SHALL COMPLY WITH CHAPTERS 8 AND 25A, PART 2, TITLE 24, CCR, INCLUDING TABLE 8-A, AND TABLES 28A-28I.
- PROVIDE BACKING PLATES OR BLOCKING BEHIND ALL WALL MOUNTED EQUIPMENT, CASEWORK, AND ACCESSORIES AS REQUIRED FOR POSITIVE ATTACHMENT TO STRUCTURE.
- SEAL ALL PENETRATIONS OF SOUND RATED PARTITIONS, FLOORS OR CEILING ASSEMBLIES, INCLUDING ELECTRICAL DEVICES, CABINETS AND OTHER ELEMENTS WITH APPROVED RESILIENT SEALANT. SEE AGENCY NOTES FOR PENETRATIONS REQUIREMENTS OF FIRE RATED AND SOUND RATED ASSEMBLIES.

- GARAGE 1: REPLACEMENT OF EXISTING LIFT MECHANISM WITH NEW PKDT-16 AUTO LIFT.
- GARAGE 2: REPLACEMENT OF 2 EXISTING LIFT MECHANISMS WITH 2 NEW TRUCK/BUS HOISTS.
- EXTERIOR: INSTALLATION OF NEW TWO-POST LIFT - MODEL PK-16
- BACKFILLING OF EXISTING VACATED PITS AND CAVITIES WITH SHOTCRETE PER SPECS.
- UPGRADE ELECTRICAL SYSTEM TO ACCOMMODATE NEW LIFT MECHANISMS AT EXTERIOR, GARAGE 1 AND GARAGE 2.

### SCOPE OF WORK

**LIST OF APPLICABLE 2016 CALIFORNIA CODE REGULATIONS (C.C.R.)**

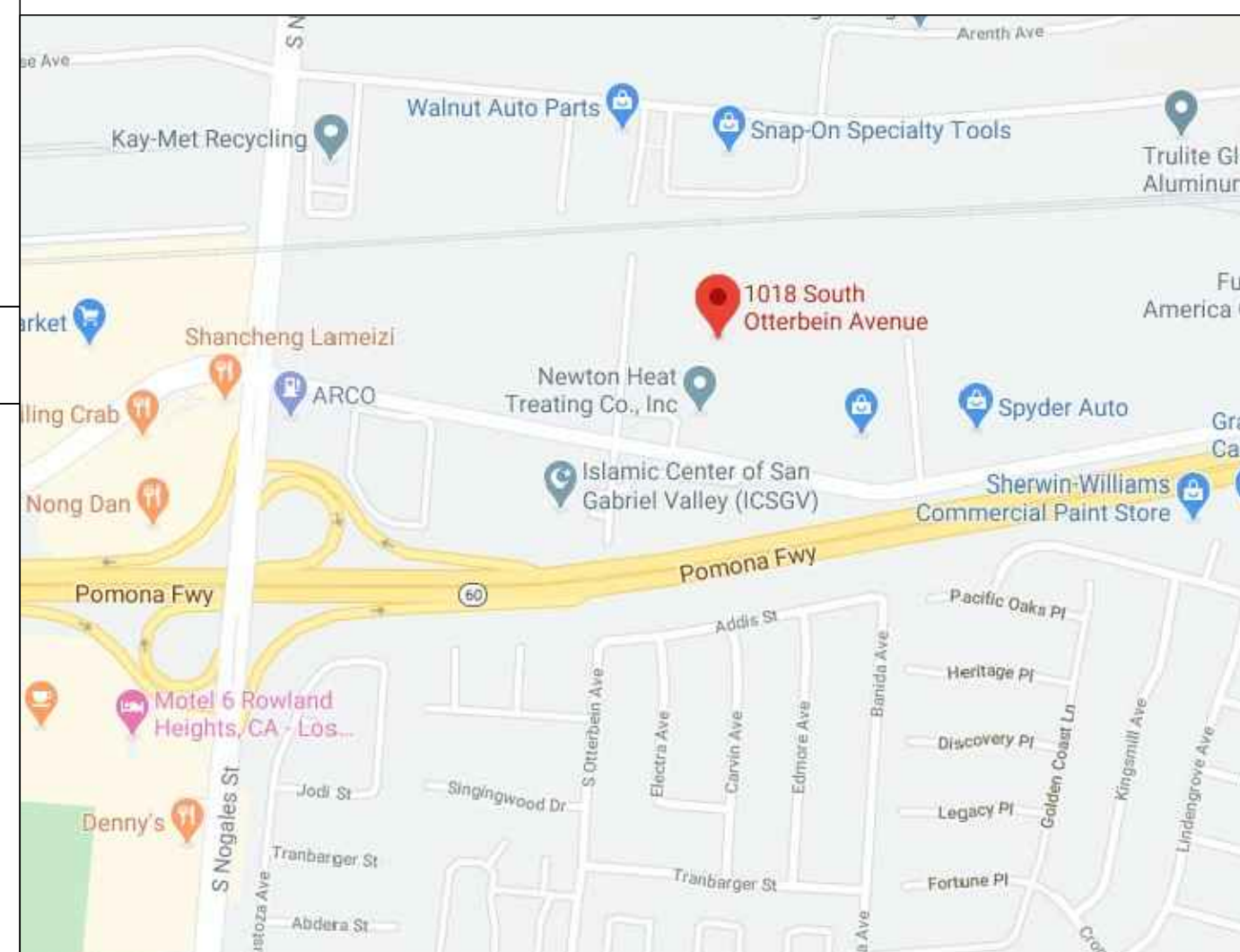
Part 1	2016 California Building Standards Administrative Code, Title 24 C.C.R.
Part 2	2016 California Building Code, Title 24 C.C.R. (2015 International Building code of the International Code Council, with California Amendments)
Part 3	2016 California Electrical Code, Title 24 C.C.R. 2014 National Fire Protection Association, (NFPA)
Part 4	2016 California Mechanical Code, Title 24 C.C.R. (2012 Uniform Mechanical Code of the International Association of Plumbing and Mechanical Officials, (IAPMO))
Part 5	2016 California Plumbing Code, Title 24 C.C.R. (2015 Uniform Plumbing Code of the International Association of Plumbing and Mechanical Officials, (IAPMO))
Part 6	2016 California Energy Code, Title 24 C.C.R.
Part 7	currently vacant

**PART 9 - 2016 California Historical Building Code, Title 24 C.C.R.**

Part 9	2016 California Fire Code, Title 24 C.C.R. (2015 International Fire Code with California Amendments)
Part 10	2016 California Existing Building Code, Title 24 C.C.R. (2015 International Existing Building Code of the International Code Council, with amendments)
Part 11	2016 California Green Building Standards Code (CALGreen Code), Title 24 C.C.R.
Part 12	2016 California Referenced Standards Code, Title 24 C.C.R.

**PARTIAL LIST OF APPLICABLE STANDARDS:**

2016 California Building Code (SBM) Referenced Standards Chapter 55
NFPA 13 Automatic Sprinkler Systems (California Amended) 2016 Edition
NFPA 72 National Fire Alarm Code (California Amended) 2016 Edition (Note: See UL Standard 1971 for "Visual Devices")



VICINITY MAP

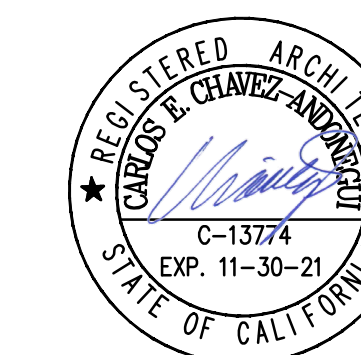
GENERAL REQUIREMENTS

APPLICABLE CODES

# ADM

ARCHITECTS INC.

ARCHITECT:



10855 BEVERLY DR. WHITTIER CA 90601

Tel: (626) 429-3664  
E-mail: cca@admarchitects.us

CONSULTANTS:

PROJECT:

REPLACEMENT OF HYDRAULIC  
LIFTS EQUIPMENT AT  
ROWLAND UNIFIED SCHOOL DISTRICT  
TRANSPORTATION DEPARTMENT

1018 OTTERBEIN AVENUE  
ROWLAND HEIGHTS, CA. 91748



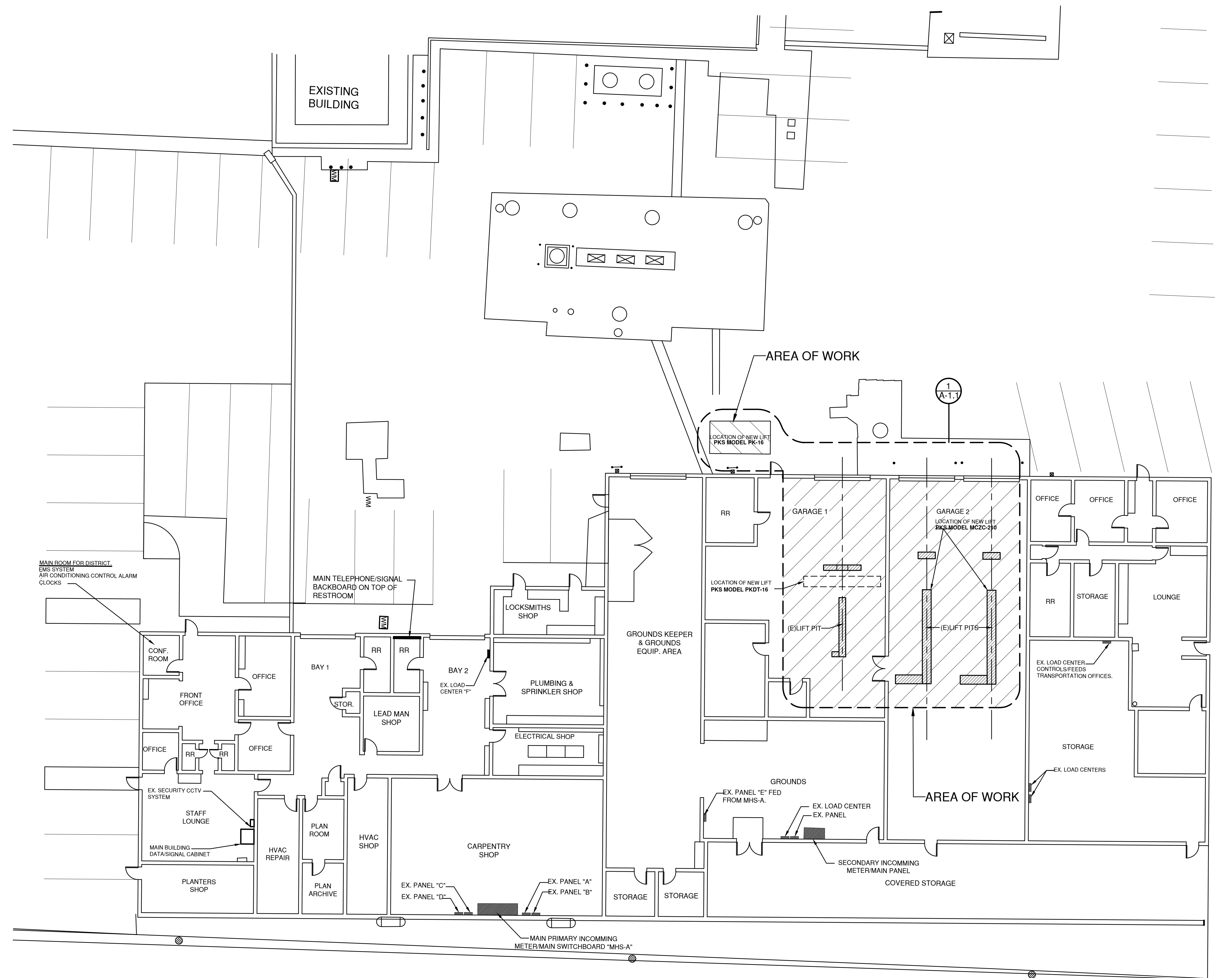
REVISIONS:

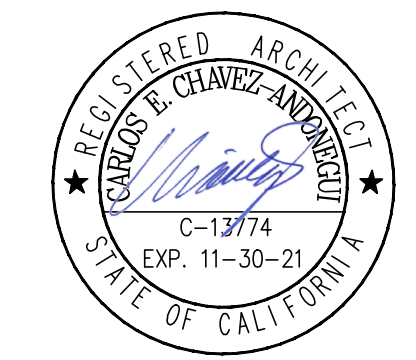
Date: 06 - 15 - 2020

Project No. :  
Drawn By : ADM. G.L.  
Checked By : ADM. C.C.  
Drawing Title :

GENERAL SITE PLAN

Drawing Number :





CONSULTANTS:

PROJECT:

REPLACEMENT OF GARAGES  
HYDRAULIC LIFTS EQUIPMENT AT  
ROWLAND UNIFIED SCHOOL DISTRICT  
TRANSPORTATION DEPARTMENT

1018 OTTERBEIN AVENUE  
ROWLAND HEIGHTS, CA. 91748



REVISIONS:

Date: 05 - 15 - 2020

Date: 07 - 30 - 2020

Project No. : 64774-106

Drawn By : G.L.

Checked By : C.C.

Drawing Title :

ENLARGED FLOOR PLAN

Drawing Number :

A-1.1

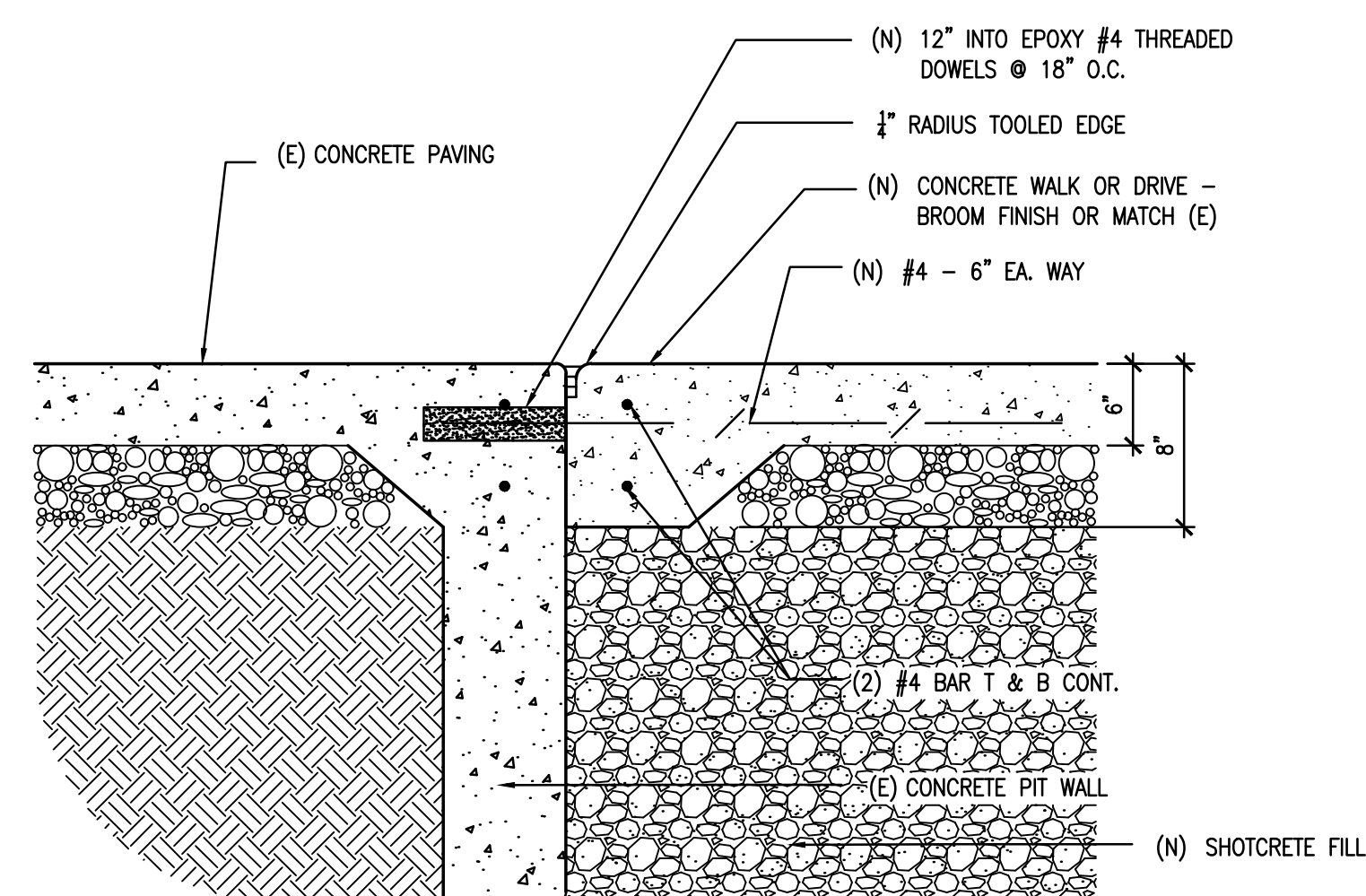
◇ DEMOLITION KEYNOTES

- 1.1 REMOVE EXISTING LIFT EQUIPMENT AND ACCESSORIES, INCLUDING PIPING AND STEEL IMBEDS, THOROUGHLY CLEAN PIT FROM OIL AND DEBRIS.
- 1.2 PREPARE PIT FOR NEW SLURRY FILL & 6" CONCRETE CAP.
- 1.3 SAWCUT EXIST. 2'-3" x 16'-4" (CONFIRM) SECTION OF CONC. SLAB TO ACCOMMODATE NEW LIFT. CONFIRM W/ MANUFACTURER'S INSTRUCTIONS - SEE DETAIL 3 / A-1.2.
- 1.4 EXCAVATE FOR NEW FOOTING PER DETAIL 3 / A-1.2.
- 1.5 EXCAVATE FOR NEW FOOTING PER DETAIL 1 / A-1.2.

□ NEW CONSTRUCTION KEYNOTES

- 2.1 INSTALL NEW PK-16 TWO-POST SURFACE LIFT PER DRAWING DETAIL 2 / A-1.2 EXACT PLACEMENT LOCATION SHALL BE FIELD-DETERMINED WITH DISTRICT REPRESENTATIVE.
- 2.2 INSTALL NEW PKDT-16 LIFT PER DRAWING DETAIL 3 / A-1.2
- 2.3 INSTALL NEW TRUCK / BUS HOIST LIFT PER DRAWING DETAIL 1 / A-1.2
- 2.4 FILL EXISTING PIT AND CAVITY W/ SLURRY UP TO ADEQUATE LEVEL TO ALLOW CAPPING W/ NEW 6" MIN. CONCRETE CAP PER DRAWING DETAIL 1 / A-1.2

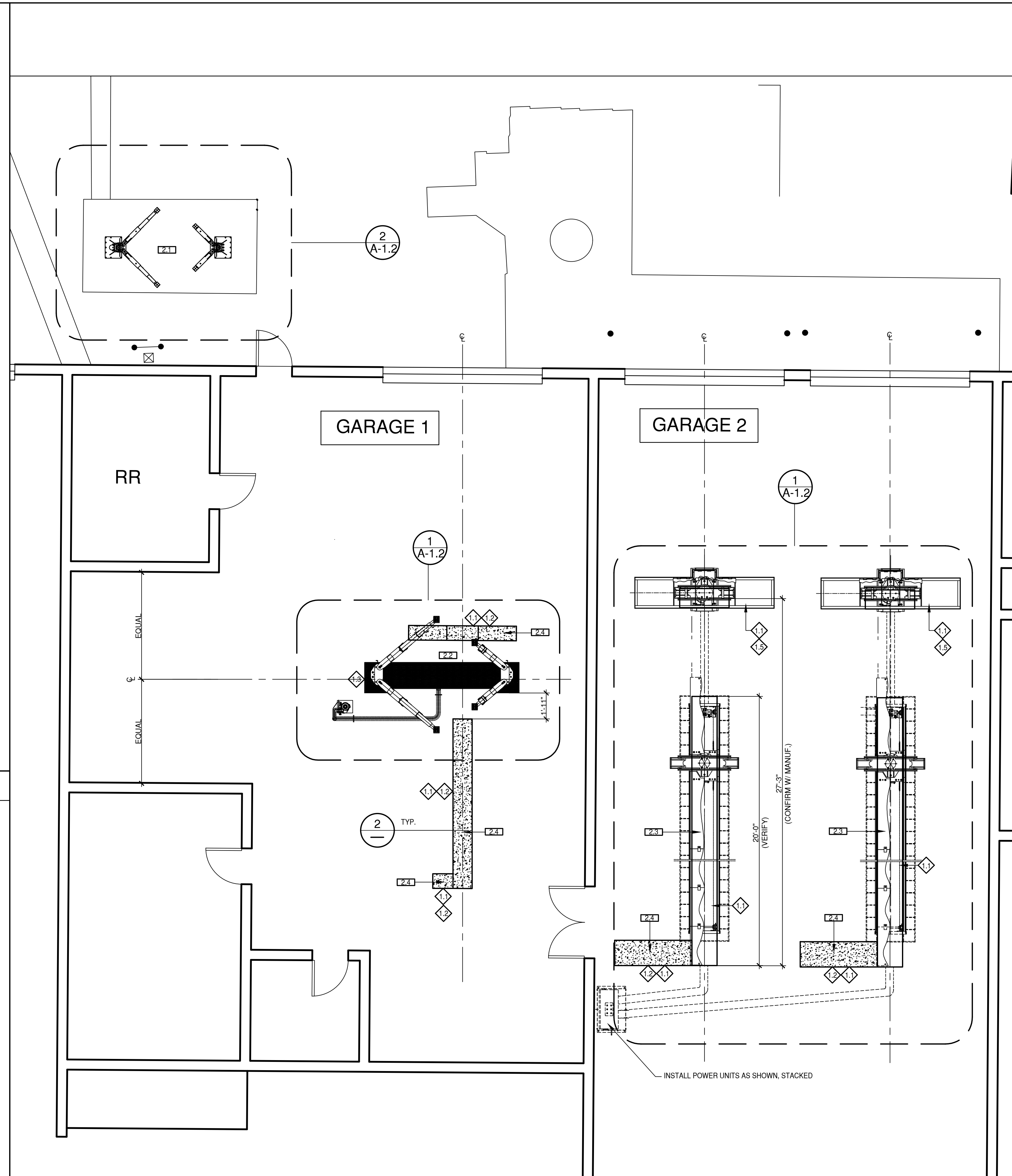
NOTE: SEE ELECTRICAL DRAWINGS FOR MORE INFORMATION.



PIT IN-FILL / SLAB DETAIL

1-1/2" = 1'-0"

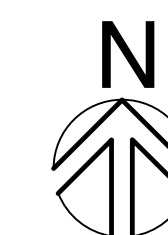
2



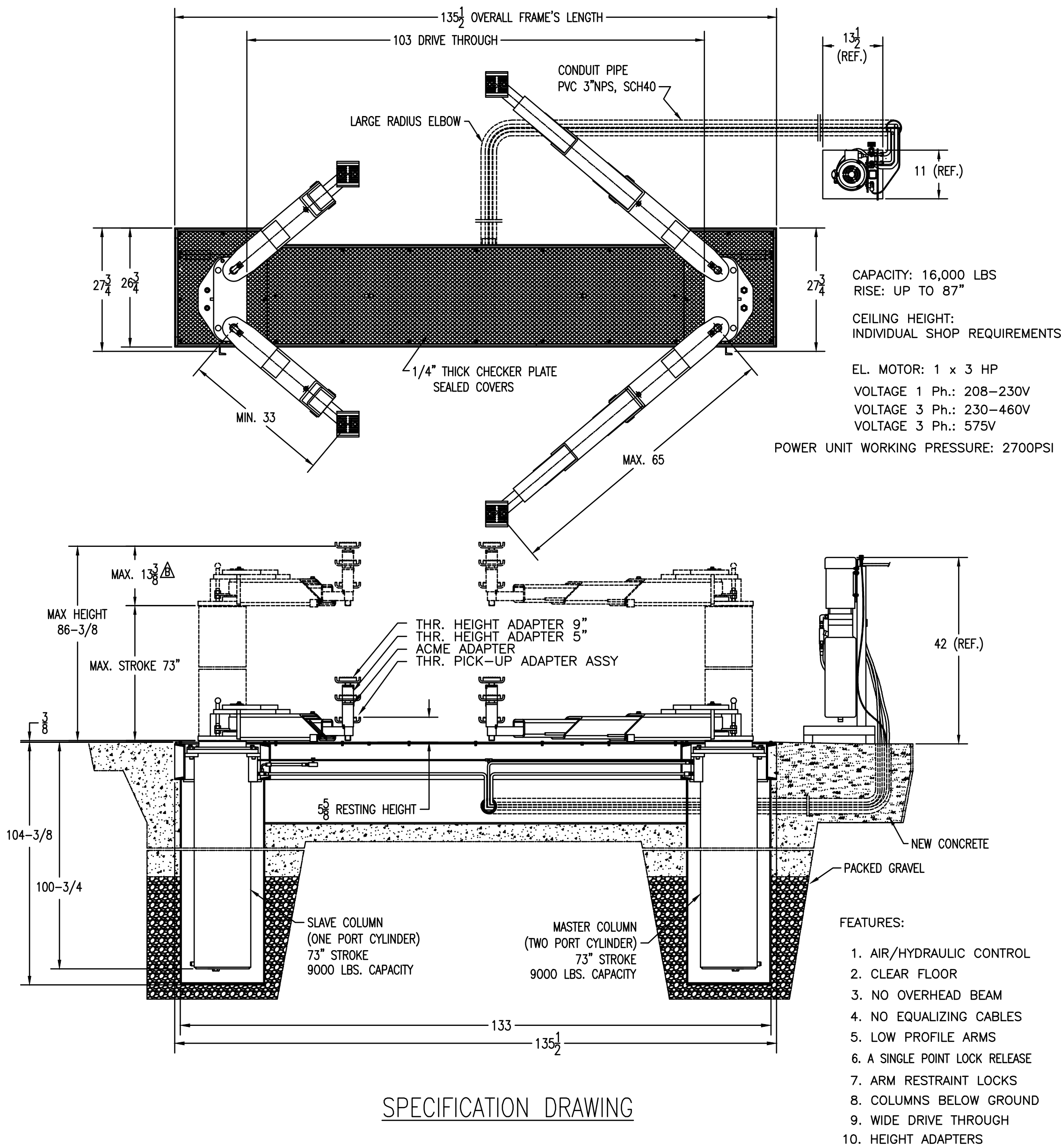
ENLARGED FLOOR PLAN

1/4" = 1'-0"

1



# WIDE DRIVE-THRU IN-GROUND LIFT MODEL: PKDT16



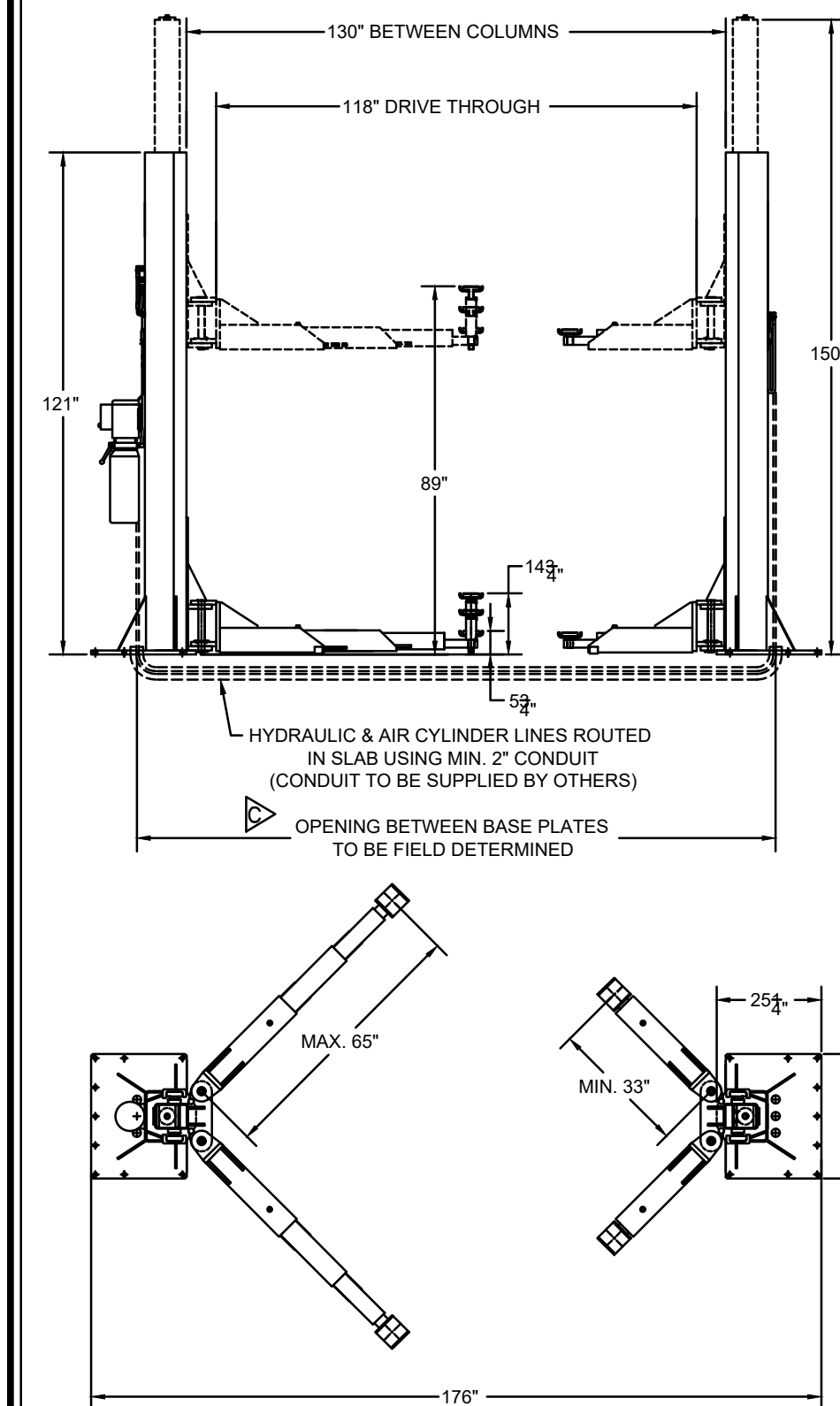
SPECIFICATION DRAWING

DWG	PKS	DATE	SEPT.26,2018	DWG	PKDT16-SPEC-01	REV.	B
-----	-----	------	--------------	-----	----------------	------	---

WIDE DRIVE-THRU IN-GROUND LIFT

N.T.S. 3

# TWO-POST LIFT MODEL: PK16



CAPACITY:.....16,000 LBS  
RISE:.....89"  
MINIMUM CEILING HEIGHT REQ'D:.....160"  
MOTOR:.....3 HP  
VOLTAGE OPTION 1:.....208-230V/1PH  
VOLTAGE OPTION 2:.....230-460V/3PH  
VOLTAGE OPTION 3:.....575V/3PH  
WORKING PRESSURE:.....2650 PSI

FEATURES:

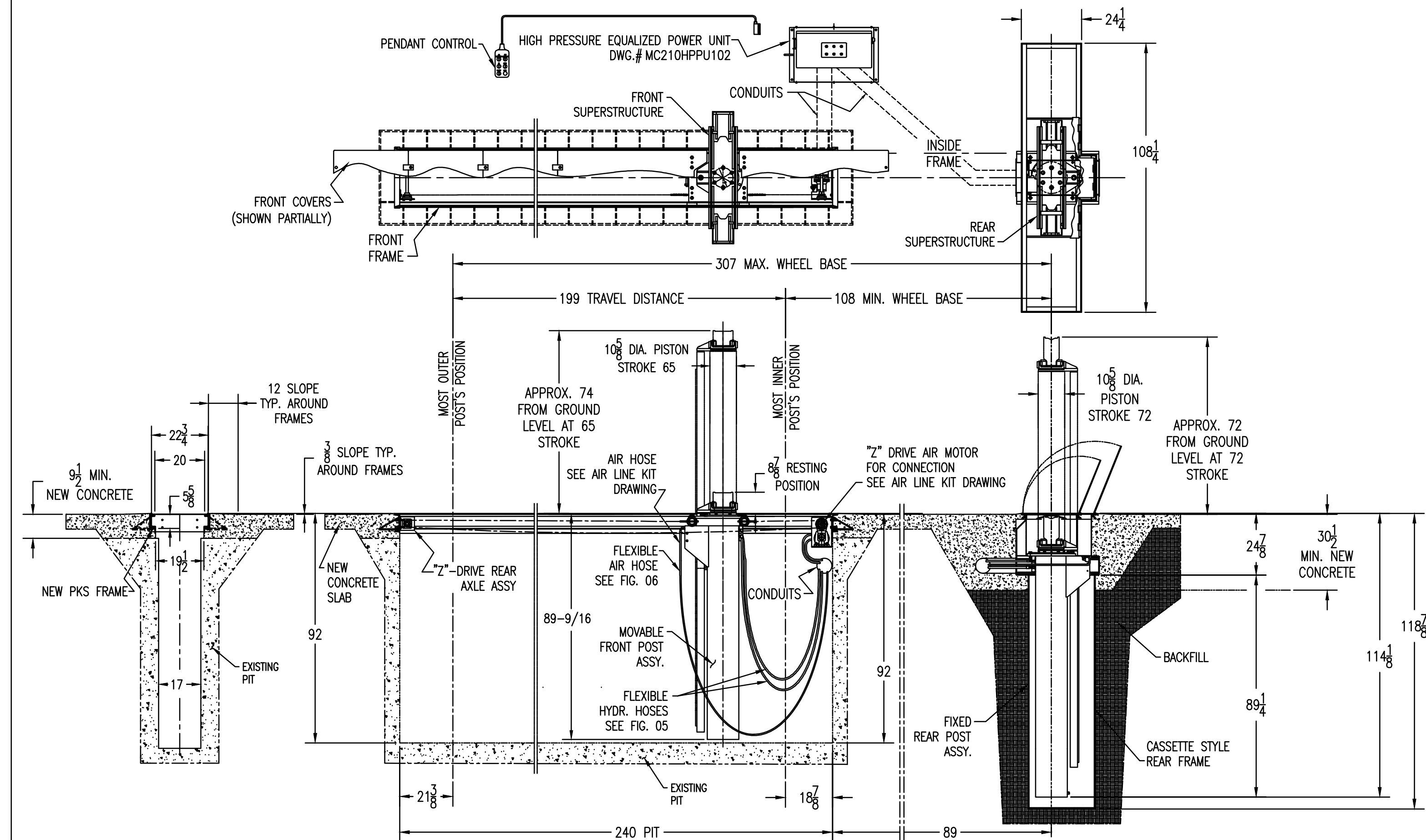
1. AIR/HYDRAULIC CONTROL
2. CLEAR FLOOR
3. NO OVERHEAD BEAM
4. NO EQUALIZING CABLES
5. LOW PROFILE ARMS
6. SCREW TYPE ADAPTERS WITH 5" & 9" HEIGHT ADAPTERS
7. GEARED ARM RESTRAIN WITH SINGLE POINT LOCK AND RELEASE

DATE	JUNE 19/2020	DWG	PK16-SPEC-Q13384	C
------	--------------	-----	------------------	---

TWO-POST LIFT MODEL PK16

N.T.S. 2

DRAWING NOT TO SCALE



CUSTOMER: ROWLAND USD	
SPECIFICATIONS	
EQUALIZED POWER UNIT: P.U. WORKING PRESSURE FRONT: 2300 PSI P.U. WORKING PRESSURE REAR: 2300 PSI	"Z" AIR MOTOR CHAIN DRIVE WHEELBASE ADJUSTMENT POWER UNIT VOLTAGE: 230-460V
FRONT POST CAPACITY: 25000 LBS (11339kg) REAR POST CAPACITY: 25000 LBS (11339kg)	

TITLE	TRUCK/BUS HOIST	MODEL	MCZC210HPC50	NOTES	MC
	PKS	DATE	2020-06-17	DWG	MCZC210HPC50-Q20200604

TRUCK / BUS HOIST

N.T.S. 1

# ADM

ARCHITECTS INC.

ARCHITECT:

10855 BEVERLY DR. WHITTIER CA 90601  
Tel: (626) 429-9664  
E-mail: cca@admarchitects.us

CONSULTANTS:

PROJECT:

REPLACEMENT OF GARAGES  
HYDRAULIC LIFTS EQUIPMENT AT  
ROWLAND UNIFIED SCHOOL DISTRICT  
TRANSPORTATION DEPARTMENT

1018 OTTERBEIN AVENUE  
ROWLAND HEIGHTS, CA. 91748

ROWLAND USD  
1850 Nopkins Street  
Rowland Heights, CA 91748  
www.rowlandusd.org  
(951) 965-2541

REVISIONS:

Date: 05 - 15 - 2020

Project No. : 64774-106

Drawn By : G.L

Checked By : C.C

Drawing Title :

AUTO LIFT DETAILS

Drawing Number :

A-1.2

**ELECTRICAL SPECIFICATIONS**

1. GENERAL
  - A. SCOPE: FURNISH ALL MATERIALS AND LABOR REQUIRED TO EXECUTE THIS WORK AS INDICATED ON DRAWING AND AS SPECIFIED, AS NECESSARY TO COMPLETE THE CONTRACT. ELECTRICAL WORK SHALL INCLUDE, BUT NOT LIMITED TO, THESE MAJOR
    1. COMPLETE WIRING SYSTEM INCLUDING NEW CONDUITS, NEW WIRES, NEW DEVICES FOR A COMPLETE POWER OF IRRIGATION CONTROL SYSTEM.
    2. TEST OF ENTIRE SYSTEM AND WORK.
  - B. CONTRACTOR SHALL COORDINATE WITH BUILDING OWNER ALL CORE DRILLING AND/OR SAW CUTTING PRIOR TO START OF WORK. CONTRACTOR SHALL CAREFULLY VERIFY ALL CORE DRILLS AND/OR SAW CUTTING, ETC., REQUIRED IN EXISTING SLABS FOR POSSIBLE CONFLICTS. ANY CONFLICTS SHALL BE BROUGHT TO ARCHITECT'S ATTENTION.
2. EXISTING CONDITIONS AND SITE INSPECTION
  - A. CONTRACTOR SHALL PERFORM AN ON-SITE INSPECTION PRIOR TO THE SUBMISSION OF HIS BID, WHICH SHALL INCLUDE A CAREFUL EXAMINATION OF THE EXISTING BUILDING AND HE SHALL THOROUGHLY FAMILIARIZE HIMSELF WITH THE WORKING CONDITION AND EXACT NATURE OF NEW AND EXISTING ELECTRICAL WORK. BY THE ACT OF SUBMITTING A BID, HE ACKNOWLEDGE FULL RESPONSIBILITY FOR FURNISHING A COMPLETE AND FUNCTIONAL SYSTEM FOR BOTH THE NEW AND/OR EXISTING ELECTRICAL INSTALLATIONS. NO CHANGES IN CONTRACT WILL BE MADE TO ACCOMMODATE OR ALLOW EXTRA FUNDS FOR ANY OMISSION WHICH RESULT FROM A FAILURE TO THOROUGHLY MAKE THE EXAMINATION.
3. CODE COMPLIANCE
  - A. ALL ELECTRICAL WORK SHALL BE INSTALLED IN ACCORDANCE WITH THE STATE OF CALIFORNIA CODE OF REGULATIONS, ELECTRICAL REGULATIONS OF THE STATE FIRE MARSHAL AND ALL OTHER GOVERNING CODES.
4. PERMITS AND FEES
 

SECURE AND PAY FOR ALL PERMITS AND FEES NECESSARY FOR EXECUTION AND COMPLETION OF ELECTRICAL WORK.
5. MATERIAL
  - A. ALL EQUIPMENT AND MATERIALS SHALL BE NEW AND LISTED BY THE UNDERWRITER'S LABORATORIES, INC. MANUFACTURED IN ACCORDANCE WITH U.L., NEMA, ANSI OR IEEE STANDARDS, AND APPROVED BY ALL AUTHORITIES HAVING JURISDICTION.
6. GROUNDING
  - A. ALL ELECTRICAL EQUIPMENT, DEVICES AND SYSTEMS SHALL BE GROUNDED IN STRICT COMPLIANCE WITH NATIONAL ELECTRICAL CODE AND ALL STATE AND LOCAL CODES. A GROUNDING CONDUCTOR SHALL BE INSTALLED IN ALL NEW BRANCH CIRCUIT WIRING.
7. ALL CONDUCTORS SHALL BE COPPER TYPE "THWN"/"THHN" RATED AT 600 VOLTS, UNLESS OTHERWISE NOTED.
8. ALL CONDUITS EXPOSED SHALL BE RIGID GALVANIZED STEEL (RGS).
9. ALL CONDUITS CONCEALED SHALL BE ELECTRIC METALLIC TUBING (EMT).
10. UNDERGROUND CONDUITS SHALL BE SCHEDULE 40 PVC.
11. FLEXIBLE STEEL CONDUIT SHALL NOT BE USED.
12. THE CONTRACTOR SHALL VISIT THE EXISTING SCHOOL AND VERIFY ALL ELECTRICAL CONDITIONS THAT MAY AFFECT HIS BID AND HE SHALL INCLUDE ALL SUCH COSTS WHEN SUBMITTING HIS BID PROPOSAL. NO EXTRAS WILL BE ALLOWED IF THE CONTRACTOR DID NOT VISIT THE EXISTING JOB SITE AND TAKE INTO CONSIDERATION ALL EXISTING ELECTRICAL CONDITIONS.
13. THE CONTRACTOR SHALL EXERCISE CARE AND PRUDENCE WHEN RUNNING CONDUIT ON OR IN EXISTING BUILDINGS WHERE INDICATED. ALL DAMAGES INCURRED BY AN ELECTRICAL WORK SHALL BE THE RESPONSIBILITY OF THE CONTRACTOR.
14. WHERE CONDUITS ARE RUN EXPOSED ON ROOF OR COVERED WALK, USE 2" X 4" REDWOOD BLOCKS AT 10'-0" ON CENTER. USE MASTIC TO SECURE THE BLOCKS TO THE ROOF OR CANOPY, NO SCREWS ALLOWED.
15. REWORK OF EXISTING PANELBOARD
 

WHERE A NEW CIRCUIT BREAKER IS CALLED FOR WITHIN EXISTING PANELBOARD, THEY SHALL MATCH EXISTING IN ALL ASPECTS.
16. SCHEDULE OF WORK
 

ANY WORK TO BE PERFORMED IN EXISTING BUILDINGS DURING SCHOOL SESSIONS MUST BE PLANNED BY THE CONTRACTOR IN ADVANCE. THE SCHEDULING SHALL BE DONE IN COOPERATION WITH THE SCHOOL PRINCIPAL WHO WILL MAKE AVAILABLE TO THE CONTRACTOR FOR THE PERFORMANCE OF THIS WORK, PORTIONS OF BUILDING WHICH MAY NORMALLY BE IN USE.
17. CONTINUITY OF EXISTING ELECTRICAL SYSTEMS
  - A. THE ELECTRICAL CONTRACTOR SHALL BE RESPONSIBLE FOR MAINTENANCE OF POWER, LIGHT COMMUNICATION, SIGNAL, FIRE ALARM AND SECURITY SYSTEM SERVICE TO THE EXISTING BUILDINGS.
  - B. REFRIGERATION MOTORS SHALL BE KEPT OPERATING AT ALL TIMES, EXCEPT FOR PERIODS OF TIME NOT AGGREGATING MORE THAN TWO HOURS IN ANY ONE DAY AND DURING THE VACATION PERIOD. NOTIFY THE DISTRICT BEFORE DISCONNECTING REFRIGERATION MOTORS.
18. SCHEDULED POWER OUTAGES
 

COORDINATE AND SCHEDULE ALL OUTAGES WITH THE PRINCIPAL AND SCHOOL DISTRICT'S DIRECTOR OF MAINTENANCE PRIOR TO ANY AND ALL OUTAGES.
19. PANELBOARD SHALL BE GENERAL ELECTRIC A-SERIES 11 TO MATCH EXISTING POWER DISTRIBUTION SYSTEM EQUIPMENT.

**NOTES**

- NOTES
1. THE ELECTRICAL DRAWINGS INDICATE NEW WORK. EXISTING ELECTRICAL SYSTEMS ARE NOT SHOWN EXCEPT WHERE INTERFACING IS REQUIRED.
  2. CONSULT WITH THE DISTRICT'S ELECTRICAL INSPECTOR BEFORE STARTING WORK.
  3. WHEREVER ELECTRICAL CIRCUITS ARE REQUIRED TO BE TURNED OFF WHICH WILL AFFECT OTHER AREAS OR BUILDINGS, COORDINATE ELECTRICAL SHUT DOWN WITH EACH PRINCIPAL OF EACH SCHOOL AND SCHOOL DISTRICT'S DIRECTOR OF MAINTENANCE AT LEAST 7 DAYS IN ADVANCE.
  4. WHERE EXISTING STRUCTURAL WALLS ARE CORED FOR NEW CONDUIT RUNS, SEPARATION BETWEEN CORED HOLES SHALL BE THREE INCHES FROM NEW OR EXISTING HOLES.
  5. THE ELECTRICAL PLANS ARE DEVELOPED FROM AS-BUILT DRAWINGS. THE CONTRACTOR IS RESPONSIBLE TO PROVIDE CIRCUIT CONTINUITY FOR A WORKABLE SYSTEM.
  6. ALL ELECTRICAL SYMBOLS SHOWN ON SCHEDULES ARE NOT NECESSARILY USED ON THIS PROJECT.
  7. VERIFY EXACT LOCATION OF ALL EXISTING ELECTRICAL EQUIPMENT AND DEVICES PRIOR TO BID AND INSTALLATION AND NOTIFY SCHOOL DISTRICT OF ANY DISCREPANCY WITH THEIR PLANS.

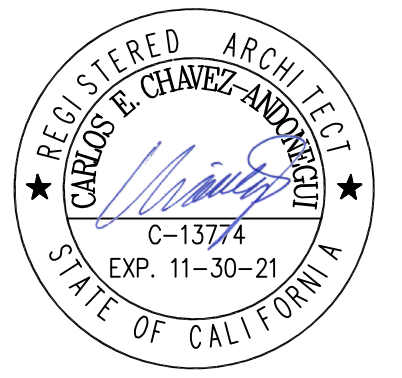
**SYMBOLS LIST**

---	CONDUIT RUN BELOW GRADE.		
C.O.	CONDUIT ONLY.	NTS	NOT TO SCALE.
WP	WEATHERPROOF.	UN	UNLESS OTHERWISE NOTED.
GRD.	GROUND.	CU	COPPER.
NIC.	NOT IN CONTRACT	GFI	GROUND FAULT INTERRUPTER
S	TOGGLE SWITCH, +45°.		
	SUFFIX ON SWITCH SYMBOLS SHALL INDICATE THE FOLLOWING: NO SUFFIX = SINGLE POLE, 2 = 2 POLE, 3 = 3 WAY, k = KEY OPERATED,		
— — —	3#12, 3/4" C.		
—	CONDUIT HOMERUN TO DESIGNATED PANELBOARD		
.	GROUNDING TYPE DUPLEX CONVENIENCE OUTLET, +15" A.F.F. UNLESS OTHERWISE NOTED ON DRAWINGS.		
H	WALL MOUNTED 5/S JUNCTION BOX WITH BLANK COVER.		
□	WALL MOUNTED NON-FUSIBLE DISCONNECT SWITCH.		

**ADM**

ARCHITECTS INC.

ARCHITECT:



10855 BEVERLY DR. WHITTIER CA 90601  
Tel: (626) 429-3664  
E-mail: cca@admarchitects.us

CONSULTANTS:

**Eng2 LLC**  
5723 Indian Pointe Dr.  
Simi Valley, CA 93063  
(818) 326-2614 Cell



PROJECT:

REPLACEMENT OF HYDRAULIC LIFTS EQUIPMENT AT ROWLAND UNIFIED SCHOOL DISTRICT TRANSPORTATION DEPARTMENT

1018 OTTERBEIN AVENUE  
ROWLAND HEIGHTS, CA. 91748



REVISIONS:

Date: 05 - 15 - 2020

Project No. :

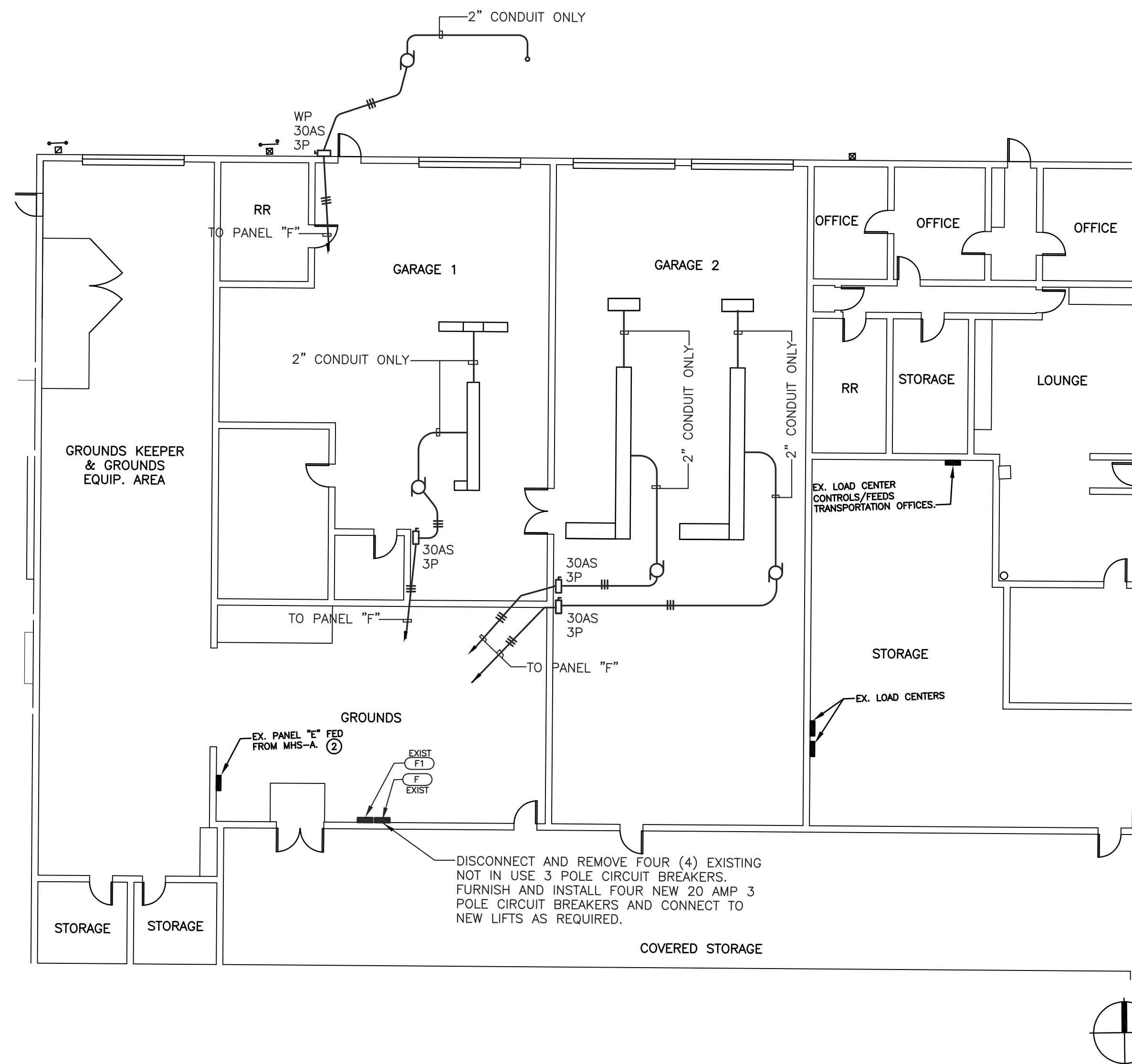
Drawn By : ADM, G.L.

Checked By : ADM, C.C.

Drawing Title :

**POWER PLAN,  
SYMBOLS, GEN NOTES**

Drawing Number :



**PARTIAL SITE PLAN**

1/32" = 1'-0"

1

**E-1.0**